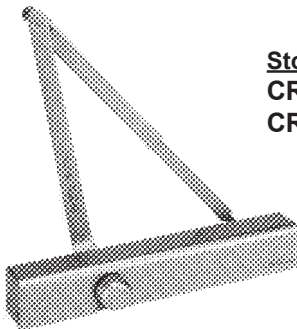


DOOR CLOSERS

CR801S/801 SERIES DOOR CLOSER

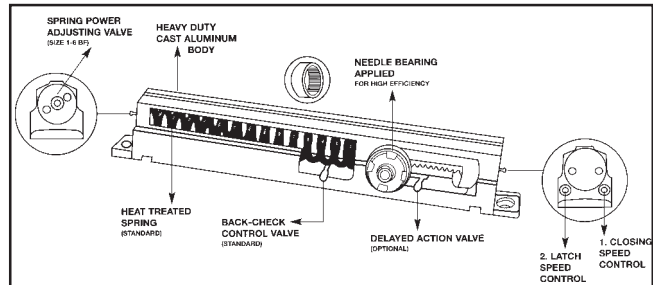
CAL-ROYAL

6 closers per case



Stock No. Finish
CR-801S ALUM or DURO
CR-801 ALUM or DURO

801S has slim cover,
 801 has full cover.



Meets the highest industry standards, **ANSI 156.4, GRADE 1**.
 U.L. Listed, Conforms to standards UL10C and UBC7-2-1997.

25 Year Warranty.

Heavy-duty double arm with extra smooth action full feature multi-size commercial door closer for use in office buildings, shopping centers, and other commercial buildings.

Standard back-check function.

Barrier Free, Adjustable size 1-6.

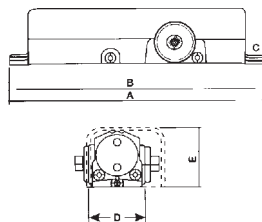
Cross Reference Chart

CAL ROYAL	CR-801S
Corbin	DC2600
Dorma	7600FCOV
LCN	1460-72G
Norton	8301
Russwin	9000
Sargent	—
Yale	3301
Door-o-matic	SC-81

Cross Reference Chart

CAL ROYAL	CR-801
Corbin	120k
Dorma	7800FCOV
LCN	1460-72G
Norton	8501
Russwin	2820K
Sargent	1230
Yale	3501
Door-o-matic	—

- A. Length of closer: 12-3/4"
- B. Horizontal Mounting Holes: 12"
- C. Vertical Mounting Holes: 3/4"
- D. Width of Closer Body: 1-1/4"
- E. Projection from Door: 2-1/8"



NOTE—The data on the cross reference chart represents Cal Royal's judgement of which are most similar. Since no product is exactly alike the information has been obtained from trade sources. It is not guaranteed nor represented that any specific products exactly equals any other product. Door closer body size may be different.

©ZIPF LOCK COMPANY

Sex Bolts, female part only 1/4" x 20

CR-970 1-3/8" US-10, 26D Set of 4

CR-970 1-3/4" US-10, 26D Set of 4

291v1
(PL-23)

DOOR CLOSERS

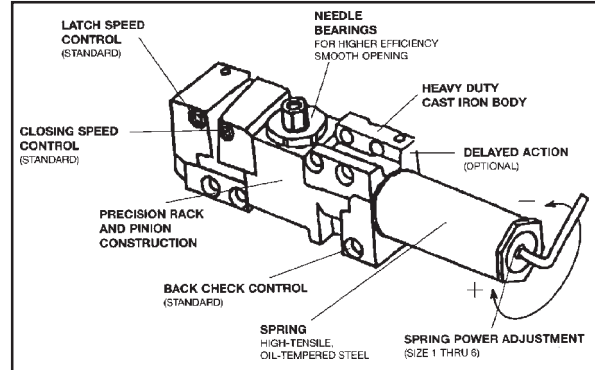
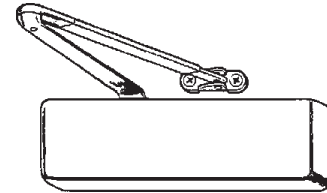
CR441 SERIES DOOR CLOSER

CAL-ROYAL

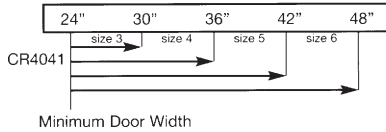
6 closers per case

- Full Cover Multi-size Full Feature Closer
- ANSI 156.4 Grade 1, UL Listed
- 25 Year Warranty

- Universal application. Non-handed for standard, top-jamb or parallel arm installations.
- Non-sized, 1 thru 6, FACTORY PRESET SIZE 3 meets ADA.
- Standard adjustable back-check function.
- Adjustable closing and latching speed by two separate regulating valves.
- Optional adjustable delayed action (DA). Preset at factory for approximately 20 seconds, between 70° and 0°. Delay time easily adjustable up to 1 minute. (CR-441DA)
- Heavy-duty double lever arm with extra smooth action full feature multi-size commercial door closer for use in office buildings, shopping centers and other commercial buildings.
- Heavy-duty cast iron body with high-tensile oil-tempered steel spring.
- Back check control standard. Precision rack and pinion construction.
- Standard full plastic cover.
- **Parallel Bracket included.**



EXTERIOR (and VESTIBULE) DOOR WIDTH



INTERIOR DOOR WIDTH

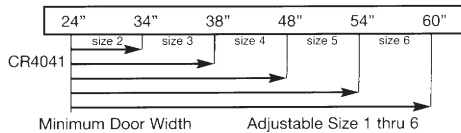


TABLE OF SIZES

Closing power of CR441 Series closers may be adjusted 50%.
 —> shows recommended range of door width for closer size.

DESCRIPTION	SIZE	
A. Length of Closer Body	11"	
B. Horizontal Mounting Holes	5"	
C. Vertical Mounting Holes	1"	
D. Width of Closer Body	2 3/4"	
E. Projection from Door	2"	

<u>Stock No.</u>	<u>Description</u>
CR-441	Regular Arm
CR-441DA	Delay Action Arm

Finishes: **ALUM** Aluminum
DURO Duronodic
GOLD Gold
(US-3, 26 Special Order)

TO ORDER, SPECIFY:

Stock No. and Finish

Sex Bolts, female part only 1/4" x 20

CR-970 1-3/8" US-10, 26D Set of 4

CR-970 1-3/4" US-10, 26D Set of 4

DOOR CLOSERS

900 SERIES DOOR CLOSER

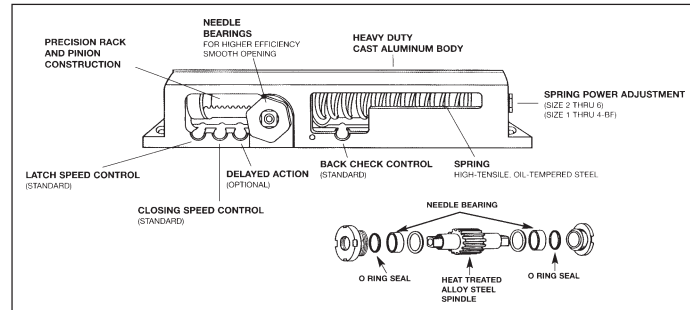
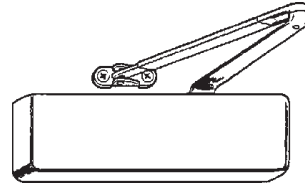
CAL-ROYAL

6 closers per case

- Full Cover Multi-size Full Feature Closer
- ANSI 156.4 Grade 1, UL Listed
- 25 Year Warranty
- Universal application. Non-handed for standard, top-jamb or parallel arm installations.
- Adjustable power (1 thru 6), FACTORY PRESET SIZE 3.
- Standard adjustable back-check function.
- Adjustable closing and latching speed by two separate regulating valves.
- Standard full plastic cover.
- **Parallel Bracket included.**
- Barrier free, adjustable size 1-6. Meets ADA regulations. Engineered with reduced spring power to provide easier opening for handicapped or elderly.
- **US3**-includes: metal cover, full arm, screws and parallel bracket.



"PBA"



DESCRIPTION	SIZE
A. Length of Closer Body	11 3/4"
B. Horizontal Mounting Holes	11 1/8"
C. Vertical Mounting Holes	9/16"
D. Width of Closer Body	2"
E. Projection from Door	2 7/8"

FRONT VIEW
Note: Closer has three holes each side.
END VIEW

TO ORDER, SPECIFY:

Stock No. and Finish

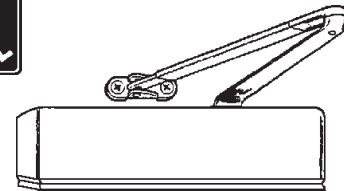
Stock No.	Description
CR-900-PBF (P)	Barrier Free
Finishes:	
ALUM	Aluminum
DURO	Duronodic
GOLD	Gold
US3	Bright Brass

300 SERIES DOOR CLOSER

CAL-ROYAL

10 closers per case

- Universal Model Barrier-Free Compliance
- ANSI 156.4 Grade 2, UL Listed
- 5 Year Warranty
- **300-PBFCOV:** Non-sized, fully adjustable 1 through 4, (Barrier Free ADA) interior doors. Full plastic cover (2-5/8"W x 3"H x 10-1/8"L).
- **300-PCOV:** Non-sized, fully adjustable 3 through 6, (Barrier Free ADA) exterior doors. Full plastic cover (2-5/8"W x 3"H x 10-1/8"L).
- Standard adjustable backcheck intensity valve.
- Universal Mounting - standard size #4 mounting holes. (9-1/16").
- Dual valve, closing and latching speed controlled by two separate regulating valves.
- Universal application, non-handed, designed for all standard installations.
- Reinforced type adjustable tube arm.
- Rack and pinion operation contained in a high tensile precision cast with **needle bearing** aluminum housing for the highest quality.
- High quality hydraulic fluid for high lubricity and constant lubrication.
- The streamlined design permits installation on most commercial and residential applications without adapters.
- Power adjustment bracket on regular arms. (15% adjustment, \pm 7-1/2%)
- Standard full plastic cover.
- **Parallel bracket included.**



Stock No.	Description
CR-300-PCOV	Barrier Free - Exterior
CR-300-PBFCOV	Barrier Free - Interior
Finishes:	
ALUM	Aluminum
DURO	Duronodic
GOLD	Gold
US3	Bright Brass

TO ORDER, SPECIFY: Stock No. and Finish

DESCRIPTION	300 PBFCOV / 300 PCOV
A. Length of Closer Body	9 3/4"
B. Horizontal Mounting Holes	9 1/16"
C. Vertical Mounting Holes	3/4"
D. Height of Closer Body	1 3/4"
E. Projection from Door	2 7/8"

FRONT VIEW
300 Series
END VIEW

**Can be used for retrofit of:
Norton 1600 (Sizes 4, 5 or 6)
Yale 50 (sizes 4, 5 or 6)**

©ZIPF LOCK COMPANY

Sex Bolts, female part only 1/4" x 20
CR-970 1-3/8" US-10, 26D Set of 4
CR-970 1-3/4" US-10, 26D Set of 4

293 v1
(PL-23)

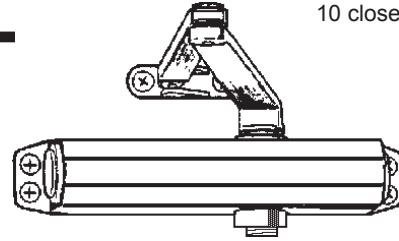
DOOR CLOSERS

700 SERIES DOOR CLOSER

CAL-ROYAL

10 closers per case

- Universal Model (Universal Hole Pattern)
- ANSI 156.4 Grade 2, UL Listed
- 5 Year Warranty
- Dual valve, closing and latching speed controlled by two separate regulating valves.
- Universal application, non-handed, designed for all standard installations.
- Reinforced type adjustable tube arm.
- Rack and pinion operation contained in a high tensile precision cast aluminum housing for the highest quality.
- High quality hydraulic fluid for high lubricity and constant lubrication.
- The streamlined design permits installation on most commercial and residential applications without adapters.
- Power adjustment bracket on regular arms. (15% adjustment, $\pm 7-1/2\%$)
- Template "Universal hole patterns as: Norton, Yale and Dorma" Size 4.
- **Parallel Bracket optional: CR-705**



Stock No.	Size*	Stock No.	Size*
CR-720	2	CR-740	4
CR-730	3	CR-750	5

*With regular arm.

Finishes: **ALUM** Aluminum
DURO Duronodic
GOLD Gold

TO ORDER, SPECIFY: Stock No. and Finish

DESCRIPTION	SIZE			
	2	3	4	5
A. Length of Closer Body	87/8"	87/8"	93/4"	93/4"
B. Horizontal Mounting Holes	83/16"	83/16"	91/16"	91/16"
C. Vertical Mounting Holes	3/4"	3/4"	3/4"	3/4"
D. Height of Closer Body	13/4"	13/4"	13/4"	13/4"
E. Projection from Door	27/8"	27/8"	27/8"	27/8"

700 Series
END VIEW

REGULAR CLOSERS					CLOSERS WITH/ PARALLEL ARM ADAPTER	
MODEL NO.	DOOR WEIGHT (POUNDS) ALL MODELS	MAXIMUM SIZE OF DOOR			MAXIMUM SIZE OF DOOR	
		REGULAR	INTERIOR INSWINGING	EXTERIOR OUTSWINGING	INTERIOR INSWINGING	EXTERIOR INSWINGING
720P	55-100	3'0"	—	—	2'6"	—
730P	88-143	3'6"	2'6"	3'0"	3'0"	2'6"
740P	120-187	4'0"	3'0"	3'6"	3'6"	3'0"
750P	176-265	4'6"	3'6"	4'0"	4'0"	3'6"

400 SERIES DOOR CLOSER

CAL-ROYAL

10 closers per case

- Universal Model
- ANSI 156.4 Grade 2, UL Listed
- 5 Year Warranty
- Dual valve, closing and latching speed controlled by two separate regulating valves.
- Universal application, non-handed, designed for all standard installations.
- Reinforced type adjustable tube arm.
- Rack and pinion operation contained in a high tensile precision cast aluminum housing for the highest quality.
- High quality hydraulic fluid for high lubricity and constant lubrication.
- The streamlined design permits installation on most commercial and residential applications without adapters.
- Power adjustment bracket on regular arms. (15% adjustment, $\pm 7-1/2\%$)
- Regular arm, Parallel arm. **Parallel bracket included.**
- Universal hole pattern. (Size [4] 440FP)

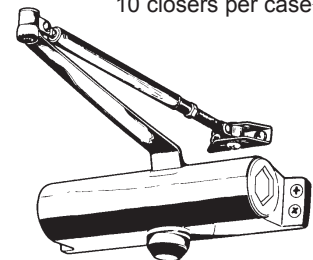
Stock No.	Size*
CR-420-P	2
CR-430-P	3
CR-440-FP**	4

*With regular arm/parallel arm.

**Template "Universal hole pattern as: Norton, Yale and Dorma" size 4.

Finishes: **ALUM** Aluminum
DURO Duronodic
GOLD Gold

TO ORDER, SPECIFY: Stock No. and Finish



DESCRIPTION	MODEL AND SIZE			
	420-P	430-P	440-P	440F-P
	2	3	4	4
A. Length of Closer Body	71/2"	83/4"	83/4"	93/4"
B. Horizontal Mounting Holes	63/8"	83/16"	83/16"	91/16"
C. Vertical Mounting Holes	3/4"	3/4"	3/4"	3/4"
D. Height of Closer Body	13/4"	13/4"	13/4"	13/4"
E. Projection from Door	27/8"	27/8"	27/8"	27/8"

400 Series
END VIEW

REGULAR CLOSERS					CLOSERS WITH/ PARALLEL ARM ADAPTER	
MODEL NO.	DOOR WEIGHT (POUNDS) ALL MODELS	MAXIMUM SIZE OF DOOR			MAXIMUM SIZE OF DOOR	
		REGULAR	INTERIOR INSWINGING	EXTERIOR OUTSWINGING	INTERIOR INSWINGING	EXTERIOR INSWINGING
420P	55-100	3'0"	—	—	2'6"	—
430P	88-143	3'6"	2'6"	3'0"	3'0"	2'6"
440P/ 440F-P	120-187	4'0"	3'0"	3'6"	3'6"	3'0"

©ZIPF LOCK COMPANY

294 v1
(PL-23)

Sex Bolts, female part only 1/4" x 20
CR-970 1-3/8" US-10, 26D Set of 4
CR-970 1-3/4" US-10, 26D Set of 4

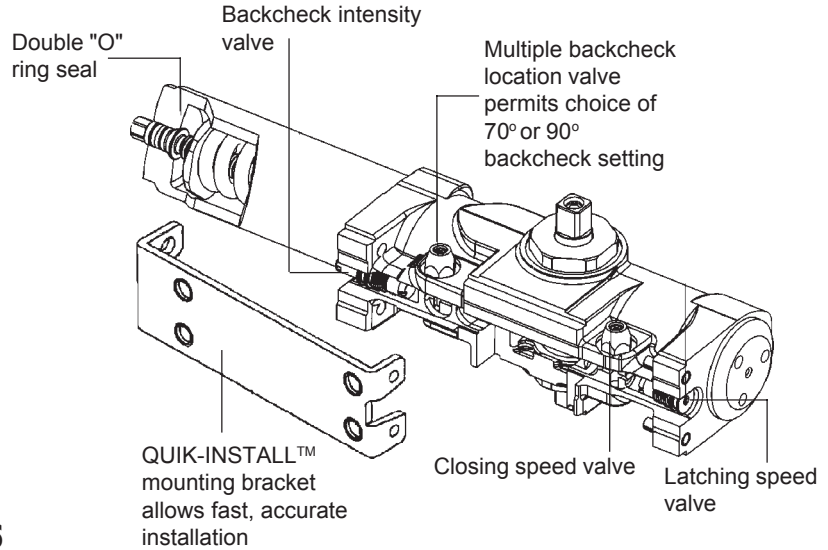
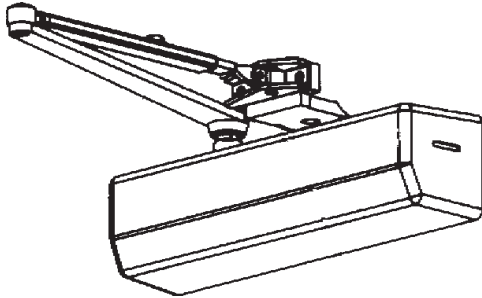
DOOR CLOSERS

DC6000 SERIES DOOR CLOSER



- UL/ULC/UL10c Listed
- ANSI A156.4, Grade 1
- 10 year warranty

One Size Fits All



Corbin/Russwin DC6000 Series Multi-Sized Door Closers

Conditions vary from job to job, but a top-quality product that is dependable, easy to install and versatile is a must. The DC6000 Series door closer is the solution. A variety of features makes this the choice for retrofitting, quick installation, and longevity. The small footprint and unobtrusive cover are additional advantages to a versatile line of closers.

- **UL/ULC/UL10c:** Listed for fire and cycle requirements.
- **ANSI:** Meets A156.4, Grade 1, and A117.1 Accessibility Code.
- **Spring Power:** Multi-Sized, Fully adjustable 1 through 6.
- **Power Adjustment Arm Bracket:** 15% adjustment.
- **Fluids:** High lubricity extreme temperature hydraulic fluid.
- **Body:** Cast iron case w/seamless cold headed steel spring tube.
- **Degree of Opening:** Up to full 180 degree opening.
- **Handing:** Non-Handed.
- **Springs:** Chrome silicon wire.
- **Valves:** Latching and Closing speed valves. Multiple backcheck location and backcheck intensity valves
- **Cover:** Non-metallic full cover.
- **Mountings:** Regular, top jamb and parallel arm installations.
- **Warranty:** Ten-year limited.

Description:

Springs can be adjusted to provide a full range of closer sizes (1 thru 6). Closers can be adjusted, at the job site, to suit various door sizes and conditions.

Spring Adjustment: Installation form gives instructions for setting closer to accommodate various door sizes.

Stock No.
RE-DC6210

Type of Closer
Non-Hold Open

Finishes

- 689** Silver Aluminum Painted
- 690** Dark Bronze Painted

Applications:

Regular, Top Jamb and Parallel Arm (M100)

Includes:

Parallel Arm Bracket, Sex Nuts and bolts(M54)

DOOR SIZE CHART				
Type of Installation	Interior	Exterior In-swing	Exterior Out-swing	Recommended Closer Size
Regular & Top Jamb	2'4"	—	—	1
	3'0"	—	—	2
	3'6"	2'6"	3'0"	3
	4'0"	3'0"	3'6"	4
	4'6"	3'6"	4'0"	5
Parallel Arm	5'0"	4'0"	4'6"	6
	2'4"	—	—	1
	2'6"	—	—	2
	3'0"	—	2'6"	3
	3'6"	—	3'0"	4
	4'0"	—	3'6"	5
	4'6"	—	4'0"	6

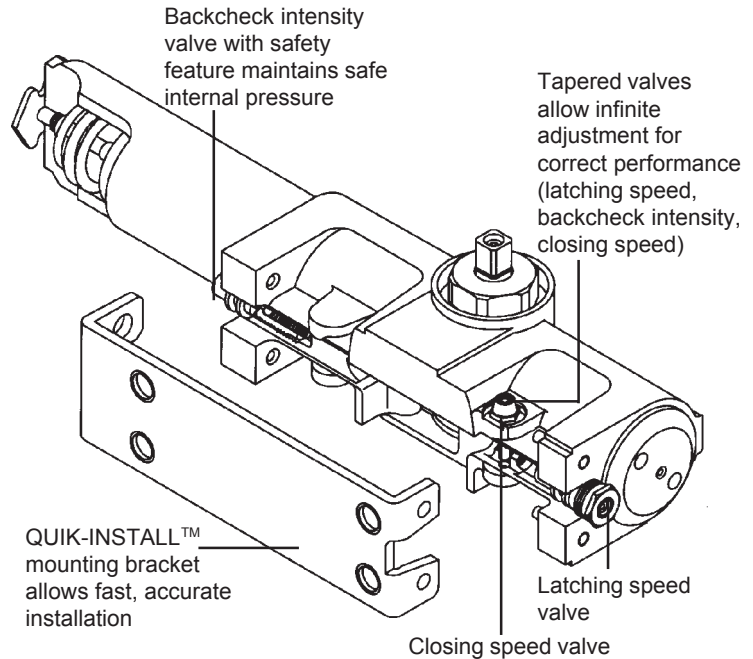
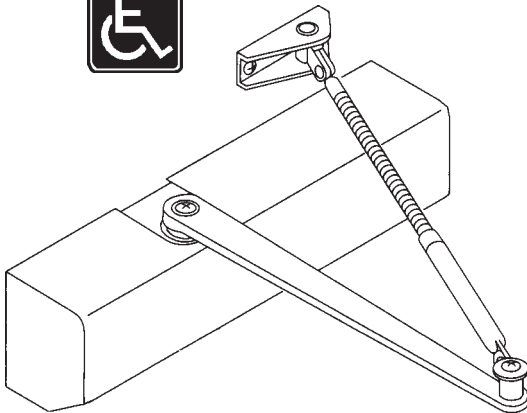
DOOR CLOSERS

DC3000 SERIES DOOR CLOSER



- UL and UL10C Listed
- ANSI A156.4, Grade 1
- 5 year warranty

One Size Fits All



Corbin/Russwin DC3000 Series Multi-Sized Door Closers

• The mid-priced, cost effective choice for high-traffic situations. DC3000 Series Door Closers fulfill security and life safety requirements by ensuring reliable latching for access control and fire code compliance, along with ease of operation and precise adjustability for barrier-free code compliance. Ideal for virtually all door openings and draft conditions in both new construction and renovations.

- **UL & UL10C.:** Listed for fire and cycle requirements.
- **ANSI:** Meets A156.4, Grade 1, and A117.1 Accessibility Code.
- **Spring Power:** Multi-Sized, Fully adjustable 1 through 6.
- **Power Adjustment Arm Bracket:** 15% adjustment.
- **Fluids:** High lubricity hydraulic fluid.
- **Body:** Cast iron case w/seamless one-piece forged steel spring tube.
- **Degree of Opening:** Up to full 180 degree opening.
- **Handing:** Non-Handed.
- **Springs:** Double heat treated steel and tempered.
- **Valves:** Latching and Closing speed valves. Backcheck intensity valve with safety feature.
- **Cover:** Non-metallic full cover.
- **Mountings:** Regular, top jamb and parallel arm installations.
- **Warranty:** Five-year limited.

Description:

Springs can be adjusted to provide a full range of closer sizes (1 thru 6). Closers can be adjusted, at the job site, to suit various door sizes and conditions.

Stock No. RE-DC3210
Type of Closer Non-Hold Open

Finishes
689 Silver Aluminum Painted
690 Dark Bronze Painted

Applications:
Regular, Top Jamb and Parallel Arm (M100)

Includes:
Parallel Arm Bracket, Sex Nuts and bolts(M54)

DOOR SIZE CHART				
Type of Installation	Interior	Exterior In-swing	Exterior Out-swing	Recommended Closer Size
Regular & Top Jamb	2'4"	—	—	1
	3'0"	—	—	2
	3'6"	2'6"	3'0"	3
	4'0"	3'0"	3'6"	4
	4'6"	3'6"	4'0"	5
Parallel Arm	5'0"	4'0"	4'6"	6
	2'4"	—	—	1
	2'6"	—	—	2
	3'0"	—	2'6"	3
	3'6"	—	3'0"	4
	4'0"	—	3'6"	5
	4'6"	—	4'0"	6

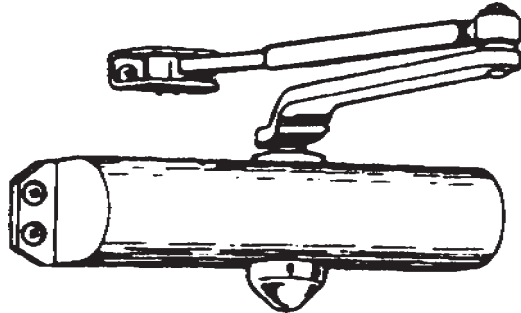
Spring Adjustment: Installation form gives instructions for setting closer to accommodate various door sizes.

DOOR CLOSERS

DC4000 SERIES DOOR CLOSER



- UL and ULC Listed
- 2 year warranty



Stock No.	Size	Old Number
RE-DC4602	2	(DC4612)
RE-DC4603	3	(DC4613)
RE-DC4604	4	(DC4614)
RE-DC4605	5	(DC4615)

Finishes

- 689 Silver Aluminum Painted
- 690 Dark Bronze Painted
- 691 Light Bronze Painted

Applications:

Regular, Top Jamb and Parallel Arm (M100)

Corbin/Russwin DC4000 Series Door Closers

• Proven Corbin Russwin quality in an economical door closer. Ease of use, reliable performance and fire code compliance make the DC4000 Series Door Closer ideal for such light duty applications as: Residences, Offices, Apartments, Hotels & Motels, Retail outlets and Warehouses.

- **UL & ULC:** Listed for closers with non-hold open arms.
- **Spring Power:** Sizes 2, 3, 4 and 5 available.
- **Power Adjustment Arm Bracket:** 15% (plus/minus 7-1/2%) adjustment.
- **Fluids:** High lubricity hydraulic fluid.
- **Body:** Cast aluminum.
- **Degree of Opening:** Up to full 180 degree opening.
- **Handing:** Non-Handed.
- **Springs:** Tempered steel.
- **Valves:** Closing speed valve, latch speed valve & backcheck valve.
- **Cover:** None.
- **Mountings:** Regular, top jamb and parallel arm installations.
- **Minimum Mounting Requirements:** Regular arm: 2-1/2" top rail, 1/8" reveal; Parallel Arm: 5" top rail without drop plate; Top jamb: 1-3/8" top rail, up to 2-7/8" reveal.
- **Warranty:** Two-year limited..

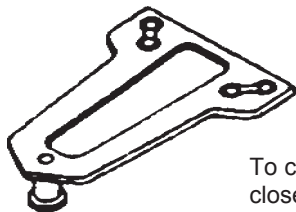
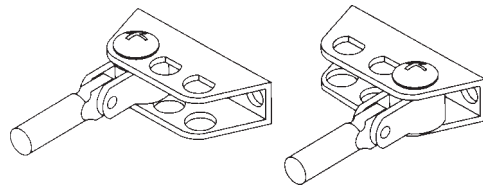
DOOR SIZE CHART

Type of Installation	Interior	Exterior, Reg. Arm	Exterior, Top Jamb	Recommended Closer Size
Regular & Top Jamb	3'0"	—	—	2
	3'6"	3'2"	3'0"	3
	4'0"	3'8"	3'6"	4
	4'6"	4'2"	4'0"	5
Parallel Arm	2'6"	—	—	2
	3'0"	—	2'6"	3
	3'6"	—	3'0"	4
	4'0"	—	3'6"	5

POWER ADJUSTMENT ARM BRACKET:

Standard on all closers without hold-open. In regular arm or top jamb mounting, forearm may be relocated to adjust power plus or minus 7-1/2%.

This is a limited adjustment to increase or decrease holding power when door is in the closed position.



BRACKET FURNISHED WITH CLOSER

To convert regular arm closer to parallel arm closer

HOLLOW-CORE DOORS (SEX BOLTS-INCLUDED WITH CLOSERS)



- KW-1192** 1-3/4" door
- KW-1194** 1-3/8" door

•Set of 4 sex bolts for metal doors.

©ZIPF LOCK COMPANY

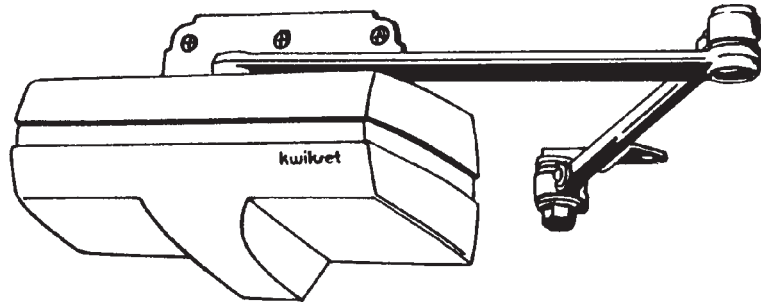
DOOR CLOSERS

AUTOMATIC DOOR CLOSER

Kwikset

Durable, Efficient, Economical
For Residential Use
For Wood or Metal Interior Doors
Maximum door size: 36" x 80"
Maximum door weight: 60lbs

KW-960C Cocoa Color
KW-960E Eggshell Color

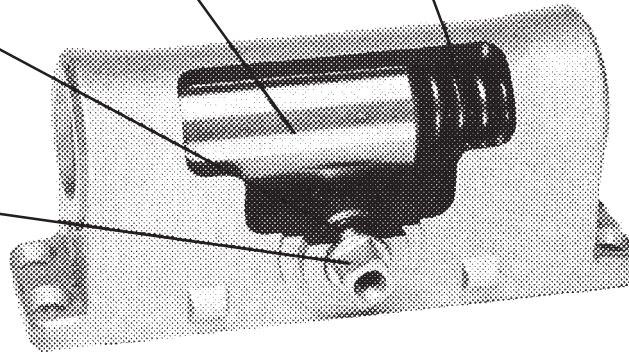


RACK AND PINION mechanism is machined of alloy steel to precise standards, assuring smoother operation and longer life.

SPRINGS are crafted from high-tensile, oil-tempered steel, which minimizes possibility of breakage or metal fatigue.

OIL SEAL is O-ring low friction unit.

SPINDLE is one piece, precision-machined from alloy steel for increased strength.



SPEED CONTROL VALVE is positioned for easy access. A slight turn with a standard screwdriver adjusts the unit to desired closing speed.

OVERALL SIZE is 5-3/4" long, 2-5/8" deep, 1-7/8" high.

FEATURES:

- Easy do-it-yourself installation.
- Adaptable to right or left-handed door swing.
- Special mounting brackets.
- Built-in hold-open functions.
- Closing speed control.
- Conserves energy dollars.

Kwikset's new automatic door closer is the ideal helpmate for any interior household door. Specially designed for internal doors, bathroom, bedroom, patio, laundry or garage, wherever automatic closing is desired. Its built-in hold-open function eliminates problems getting parcels, laundry, groceries and other bulky items through doorways. And the adjustable speed valve can speed up or slow

down the door as needed. Kwikset's automatic door closer even helps conserve energy and save dollars by keeping in cool air in summer—warm air in winter.

INSTALLATION EASY, DO-IT-YOURSELF

Its compact size and design allows it to fit neatly on any interior wood or aluminum door. It can be installed in minutes with household tools. Each package contains 2 special mounting plates (brackets). One will conform to the customer's door top jamb configuration. Installation is PARALLEL and is adaptable to RIGHT or LEFT-hand door swing.

SPECIFICATIONS:

Applicable Door: Wood or Aluminum

Maximum Door Size: (Width/Height)
35-7/16" x 82-5/8" (900 x 2100mm)

Size: 5-3/4" long, 2-5/8" deep, 1-7/8" high

Rack and Pinion: One piece alloy steel

Spindle: One piece alloy steel

Springs: High-tensile oil tempered steel

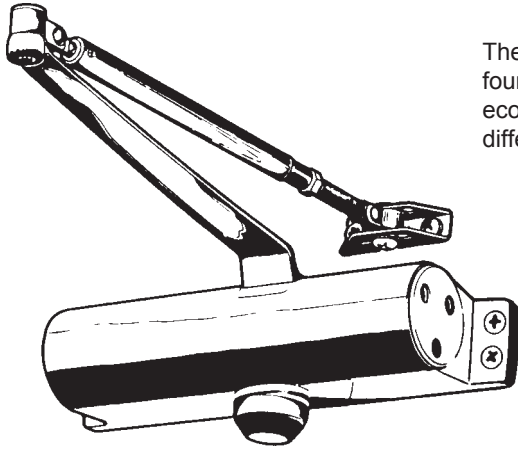
Oil Seal: Low-friction O-ring unit

DOOR CLOSERS

TYLO SERIES DOOR CLOSER

Kwikset

U.L. Listed



The Tylo door closer by Kwikset combines virtually all features found only in expensive door closers and offers them at an economical price. They are available in a variety of sizes to suit different door sizes and use requirements

SPECIFICATIONS

- **Degree of Opening:** Maximum degree of opening for all closers is 180 degrees.
- **Door Weight:** When ordering closers according to door size limitation as shown in chart, the actual maximum size of the door recommended is largely determined by existing draft conditions and by door weight, e.g., if door is a size calling for a 962 closer and subject to strong drafts, a 963 should be used.
- **Case:** High strength pressure cast aluminum.
- **Adjustable Arms:** One length for all applications. Minimum top jamb 1-3/4". Forged steel, malleable iron and wrought parts.
- **Rack and Pinion:** One-piece alloy steel.
- **Spindle:** One-piece high-tensile, heat-treated alloy steel.
- **Springs:** High-tensile, heat-treated steel.
- **Oil-Seal:** Low-friction O-ring unit.
- **Valves:** Needle-type non-critical with O-ring seals.
- **Checking Fluid:** High-lubricity, low-pour-point; same fluid used on all Tylo closers.

Finishes: **US-10** Satin Bronze Enamel
US-28 Satin Aluminum Enamel
US-035 Duranodic

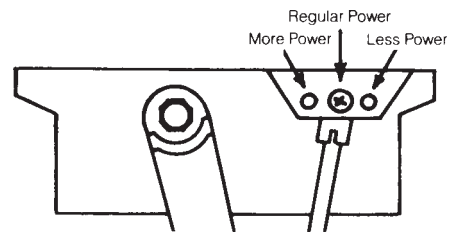
FEATURES

- **Speed Valve** is needle type, assuring precise control of closing speed.
- **Adjustable:** Closing speed is easily regulated to permit adjustment of closer to different conditions and requirements.
- **Invertible:** Tylo door closer may be installed conventionally or mounted inverted.
- **Flexibility:** Not handed and operate with equal efficiency.

Stock No.	Recommended closer size for doors 7' high		
	Maximum size of door		
Regular	Interior	Exterior inswing	Exterior outswing
KW-962	3'0"		
KW-963	3'6"	2'6"	3'0"
KW-964	4'0"	3'0"	3'6"
KW-965	4'6"	3'6"	4'0"

Specify Stock Number and Finish

POWER ADJUSTMENT ARM BRACKET



Regularly furnished with all non hold-open closers. May be mounted to supply regular closing power or adjusted to supply a minimum of 15% greater closing power.

PARALLEL ARM ADAPTERS

KW-946 For regular arm US-035, 10, 28
KW-947 For Hold-open arm US-10, 28

HOLLOW-CORE DOORS (SEX BOLTS)

KW-1192 28 1-3/4" door US-28
KW-1194 28 1-3/8" door US-28
 •Set of 4 sex bolts for metal doors.
CR-970 1-3/8 1-3/8" door US-26D
CR-970 1-3/4 1-3/4" door US-10, 26D
 •Set of 4 sex bolts for metal doors.

©ZIPF LOCK COMPANY

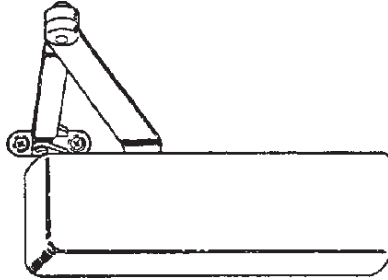
DOOR CLOSERS

4041 SERIES DOOR CLOSER

LCN®

4041 SUPER SMOOTH® SERIES / non handed non sized for interior or exterior use.

FEATURES: •Fast Power adjust—a revolutionary visual indicator for spring power adjustment •Full rack and pinion hydraulic action •Forged steel main arm •Ten million cycles •All weather fluid •10 year warranty •Cast iron cylinder •Hydraulic backcheck •Non handed plastic cover •UL & ULC Listed •Meets ADA requirements •ANSI A156.4 Grade 1 •Non sized adjustable from size 1 thru size 6 (set to size 3).



Stock#

LCN-P4041

•Specify Arm:

Maximum Door Width

EXTERIOR INTERIOR

24" to 48" 24" to 60"

REG = Regular w/62PA

H = Hold open w/62PA

H-CUSH = Hold open, Cush-N-Stop


DEL = Delayed action closer. Adjustable delay that holds door open from 15 seconds to 1 minute.

FINISHES:

ALUM

DARK BRONZE

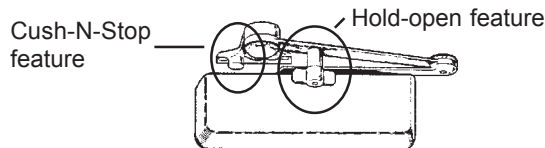
REDUCED OPENING FORCE 4041 CLOSERS—CAUTION! Any manual door closer, including those certified by BHMA to conform to ANSI Standard A156.4, that is selected, installed and adjusted based on ADA or other reduced opening force requirements may not provide sufficient power to reliably close and latch a door.

	DOOR WIDTH	36"	42"	48"
	8.5*lbs	4041	4041	4041
5.0*lbs	4041	4041	4041	

*Maximum opening force.

CUSH-N-STOP® ARMS / Closer, stop, holder in one arm.

FEATURES: Eliminates the need for separate stop/holder •Protects against abusive traffic and wind conditions •Hold open optional •10 year warranty •U.L. Listed •ANSI A156.4 Grade 1.



Available For:

LCN-P1461 Series

LCN-4111 Series

•Dead stop (and hold open) is template located at 85°, 90°, 100° or 110°. •Backcheck cushions opening swing prior to dead stop •With hold open "on" door may be pushed into and out of hold open position.

FINISHES—

STANDARD PAINTED FINISHES

ALUM- Aluminum Lacquer, BHMA No. 689

STAT-Statuary Bronze Lacquer, BHMA No. 690

FINISH TO MATCH ARCHITECTURAL

ALUMINUM HARDCOAT

DARK BRONZE- Dark Bronze Hard Coat,

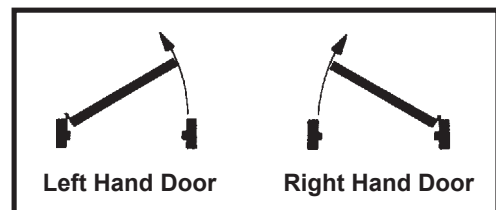
BHMA No. 695

NEED A SPECIAL CLOSER NOT LISTED HERE??

If you don't see the LCN closer that you want...PLEASE give us a call. In most cases we can special order the LCN closer at competitive prices and quick delivery. Call us for price and delivery before buying somewhere else.

DETERMINING HANDING—

Some door closers are handed. When approaching a door from the push side, if hinged on the left, it is a left hand door; if on the right it is a right hand door. For purposes of handing door closers, left hand and right hand reverse bevel are identical. Also, right hand and left hand reverse bevel are identical. The hand of the closer is the same as the hand of the door except...the hand of a closer on a corner bracket is opposite the hand of the door.



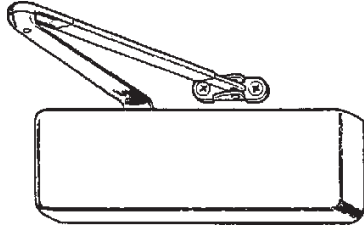
DOOR CLOSERS

4011 SERIES DOOR CLOSER

LCN®

4011 SMOOTHIE® SERIES / non sized for interior or exterior use. (For Hinge side of doors only)

FEATURES: •Fast Power adjust—a revolutionary visual indicator for spring power adjustment •Full rack and pinion hydraulic action •Forged steel main arm •Ten million cycles •All weather fluid •10 year warranty •Cast iron cylinder •Hydraulic backcheck •Non handed plastic cover •UL & ULC Listed •Meets ADA requirements •ANSI A156.4 Grade 1 •Non sized adjustable from size 1 thru size 5 (set to size 3).



Stock# **Maximum Door Width**
LCN-4011 **EXTERIOR** **INTERIOR**
 24" to 42" 24" to 54"

•Specify Arm: **REG** = Regular
H90* = Hold open (Up to 140°)

•SPECIFY HAND: **RH** or **LH**.
 See **BELOW** for handing.

LCN-4011 mounts on hinge face of door. For out swinging exterior doors use LCN-4111 below.

*H90 Discontinued-Call for closeout prices

FINISHES:
ALUM or **DARK BRONZE**

REDUCED OPENING FORCE 4011 CLOSERS—CAUTION! Any manual door closer, including those certified by BHMA to conform to ANSI Standard A156.4, that is selected, installed and adjusted based on ADA or other reduced opening force requirements may not provide sufficient power to reliably close and latch a door.

	DOOR WIDTH	36"	42"	48"
	8.5*lbs	4011	4011	4011
	5.0*lbs	4011	4011	4011

*Maximum opening force.

4111 SERIES DOOR CLOSER

Discontinued. Call for closeout prices.

4111 SMOOTHIE® SERIES / non sized for interior or exterior use. (For stop side of doors only)

FEATURES: •Fast Power adjust—a revolutionary visual indicator for spring power adjustment •Full rack and pinion hydraulic action •Forged steel main arm •Ten million cycles •All weather fluid •10 year warranty •Cast iron cylinder •Hydraulic backcheck •Non handed plastic cover •UL & ULC Listed •Meets ADA requirements •ANSI A156.4 Grade 1 •Non sized adjustable from size 1 thru size 5 (set to size 3).



Stock# **Maximum Door Width**
LCN-4111 **EXTERIOR** **INTERIOR**
 28" to 42" 28" to 54"

•Specify Arm: **REG** = Regular (EDA)
CUSH = Cush-N-Stop
H = Hold open (EDA)
H-CUSH = Hold open, Cush-N-Stop

•SPECIFY HAND: **RH** or **LH**.
 See **BELOW** for handing.

LCN-4111 mounts on stop face (push side) of door. With door closed, arm folds to position parallel to door.

FINISHES:
ALUM or
DARK BRONZE

REDUCED OPENING FORCE 4111 CLOSERS—CAUTION! Any manual door closer, including those certified by BHMA to conform to ANSI Standard A156.4, that is selected, installed and adjusted based on ADA or other reduced opening force requirements may not provide sufficient power to reliably close and latch a door.

	DOOR WIDTH	36"	42"	48"
	8.5*lbs	4111	4111	4111
	5.0*lbs	4111	4111	4111

*Maximum opening force.

FINISHES—

STANDARD PAINTED FINISHES

ALUM-Aluminum Lacquer, BHMA No. 689

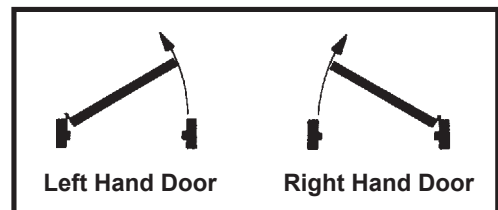
STAT-Statuary Bronze Lacquer, BHMA No. 690

FINISH TO MATCH ARCHITECTURAL ALUMINUM HARDCOAT

DARK BRONZE- Dark Bronze Hard Coat, BHMA No. 695

DETERMINING HANDING—

Some door closers are handed. When approaching a door from the push side, if hinged on the left, it is a left hand door; if on the right it is a right hand door. For purposes of handing door closers, left hand and right hand reverse bevel are identical. Also, right hand and left hand reverse bevel are identical. The hand of the closer is the same as the hand of the door except...the hand of a closer on a corner bracket is opposite the hand of the door.



©ZIPF LOCK COMPANY

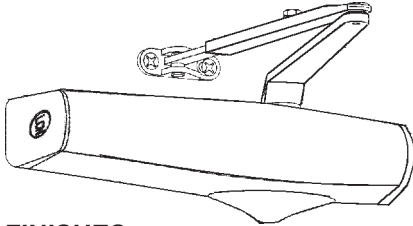
DOOR CLOSERS

1370 SERIES DOOR CLOSER

LCN®

1370 QUEST® SERIES / non handed, non sized for interior or exterior use.

FEATURES: •Non-handed, mounts three different ways; 1.Hinge side, 2. Top jamb, 3. Parallel arm •PA shoe included •Adjustable hydraulic backcheck cushions opening swing prior to 90° •Full rack and pinion hydraulic action •Hold-open arms permit doors to be held at any point up to 180° •Drop plates and adaptor plates available to meet special conditions (special orders) •Non Sized adjustable from 1 thru 5 (set to size 3) •PA Mount adjustable from size 1-4 •Mounts on narrow 1-3/4" head frames •TB-Has thru bolts & machine screws •10 year warranty •UL & ULC without hold open arm •ANSI A156.4 Grade 1.



FINISHES:
ALUM or DARK BRONZE

Stock No.	Description
LCN-1371 REG TB	Regular Arm
LCN-1371H TB	Hold Open

Recommended range of door width:
Exterior: 26" to 42"; Interior: 26" to 54".
Minimum door width: 26".

	DOOR WIDTH	36"	42"	48"
	8.5*lbs	1371	1371	1371
	5.0*lbs	1371	1371	1371

*Maximum opening force.

REDUCED OPENING FORCE 1370 CLOSERS—

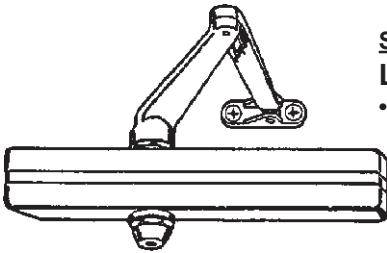
CAUTION! Any manual door closer, including those certified by BHMA to conform to ANSI Standard A156.4, that is selected, installed and adjusted based on ADA or other reduced opening force requirements may not provide sufficient power to reliably close and latch a door.

Specify if PA Bracket needed.

1461 SERIES DOOR CLOSER

1461 SUPER STOCK® SERIES / non handed, non sized for interior or exterior use.

FEATURES: •Can be mounted three different ways: 1. Hinge side, 2. Top jamb, 3. Parallel arm •PA shoe included •Non handed, non sized with spring power adjustable from size 1 through 6 (set to size 3) •Adjustable hydraulic backcheck provides cushioning of opening swing arm prior to 90° •Forged steel main arm •Cast iron cylinder •Full rack and pinion hydraulic action •Joints in arm and shoe adapt to uneven trim •TB-Has thru bolts & machine screws •Slim Line plastic cover •10 year warranty •UL & ULC without hold open arm •ANSI A156.4 Grade 1.



Stock#	Maximum Door Width	
	EXTERIOR	INTERIOR
LCN-P1461	24" to 48"	24" to 60"
•Specify Arm:	REG	= Regular w/62PA
	H	= Hold open w/62PA

REDUCED OPENING FORCE 1461 CLOSERS—

CAUTION! Any manual door closer, including those certified by BHMA to conform to ANSI Standard A156.4, that is selected, installed and adjusted based on ADA or other reduced opening force requirements may not provide sufficient power to reliably close and latch a door.

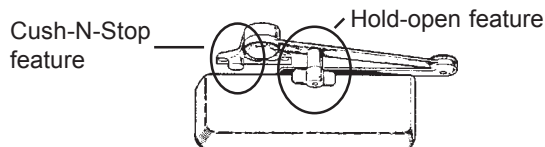
	DOOR WIDTH	36"	42"	48"
	8.5*lbs	1461	1461	1461
	5.0*lbs	1461	1461	1461

*Maximum opening force.

FINISHES: ALUM or DARK BRONZE

CUSH-N-STOP® ARMS / Closer, stop, holder in one arm.

FEATURES: Eliminates the need for separate stop/holder •Protects against abusive traffic and wind conditions •Hold open optional •10 year warranty •ANSI A156.4 Grade 1.


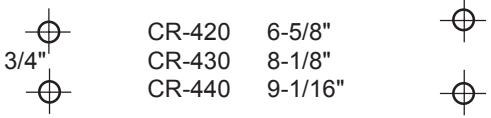
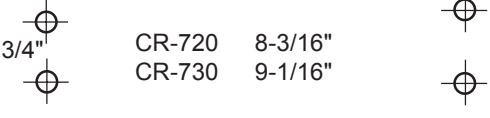
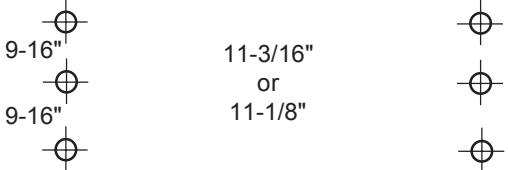
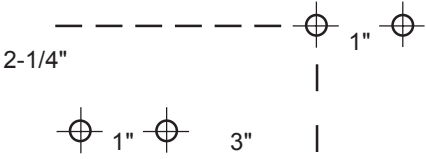

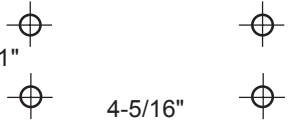
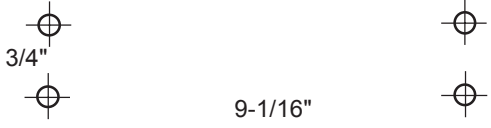
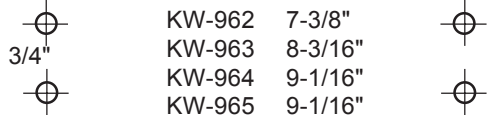
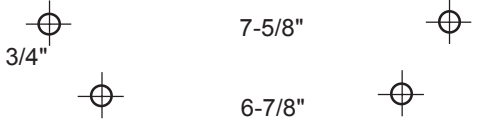



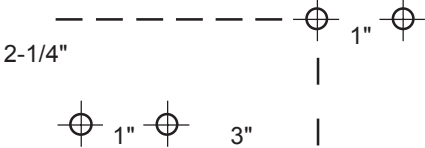


Available For:
LCN-P1461 Series (Being discontinued)
LCN-4111 Series

•Dead stop (and hold open) is template located at 85°, 90°, 100° or 110°. •Backcheck cushions opening swing prior to dead stop •With hold open "on" door may be pushed into and out of hold open position.

©ZIPF LOCK COMPANY

DOOR CLOSERS

DOOR CLOSER MOUNTING HOLE SPACINGS (NOT TO SCALE)	
<p>CAL-ROYAL 300 SERIES</p> 	<p>CAL-ROYAL 400 SERIES</p> 
<p>CAL-ROYAL 700 SERIES</p> 	<p>CAL-ROYAL 900 SERIES</p> 
<p>CAL-ROYAL 441 SERIES</p> 	<p>CAL-ROYAL 801 SERIES</p> 
<p>CORBIN/RUSSWIN RE-2210, RE-3210</p> 	<p>CORBIN/RUSSWIN RE-4612, 13, 14, 15</p> 
<p>KWIKSET KW-962, 63, 64, 65</p> 	<p>LCN 1371 SERIES</p> 
<p>LCN P1461 SERIES</p> 	<p>LCN 4011</p> 
<p>LCN 4111</p> 	<p>LCN P4041</p> 

©ZIPF LOCK COMPANY

Specifications subject to change without notice.

303v1
(PL-23)