

# SWITCH LOCKS



## SINGLE POLE, SINGLE THROW DOUBLE BITTED SWITCH LOCKS

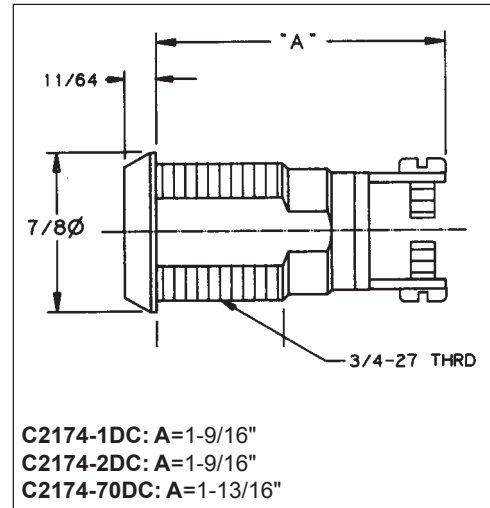
- Maintaining contact switch operated by manually rotating inserted key 90° clockwise from open to closed position.
- Momentary contact switch locks features spring return from closed to open position after 90° clockwise key rotation to closed position.
- Contact configuration: SPST.
- 7 amps (resistive) @ 125 Volts A.C. 7 amps @ 28 Volts D.C.
- Electrical Life: 6,000 cycles @ Max. Load.
- Contact Resistance: 50 milli ohms initial maximum.
- Bright Chrome Finish.
- Switches are U.L. Recognized.

**Keypull—OFF only; Contact—Maintaining.**

<u>Stock No.</u>	<u>Keying</u>
<b>C2174-1DC KV</b>	Keyed Different*
<b>C2174-1DC KA</b>	Keyed Alike—SPECIFY KA# 2001, 2007.

**Keypull—OFF & ON; Contact—Maintaining.**

<u>Stock No.</u>	<u>Keying</u>
<b>C2174-2DC KV</b>	Keyed Different*
<b>C2174-2DC KA</b>	Keyed Alike—SPECIFY KA# 2001, 2007.



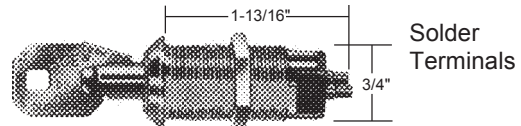
**Keypull—OFF only; Contact—Momentary.**

<u>Stock No.</u>	<u>Keying</u>
<b>C2174-70DC KV</b>	Keyed Different*
<b>C2174-70DC KA</b>	Keyed Alike—SPECIFY KA# 2001; 2007; 2126; 2382



## SINGLE POLE, SINGLE THROW PATENTED ACE II® SWITCH LOCKS

- Maintaining contact switch operated by manually rotating inserted key 90° clockwise from open to closed position.
- Momentary contact switch locks features spring return from closed to open position after 90° clockwise key rotation to closed position.
- Contact configuration: SPST.
- 7 amps (resistive) @ 125 Volts A.C. 7 amps @ 28 Volts D.C.
- Electrical Life: 6,000 cycles @ Max. Load.
- Contact Resistance: 50 milli ohms initial maximum.
- Bright Chrome Finish.
- Switches are U.L. Recognized.



**Keypull—OFF Only; Contact—Maintaining.**

<u>Stock No.</u>	<u>Keying</u>
<b>C4073-1 KV</b>	Keyed Different*
<b>C4073-1 KA</b>	Keyed Alike—PL927

**Keypull—OFF & ON; Contact—Maintaining.**

<u>Stock No.</u>	<u>Keying</u>
<b>C4073-2 KV</b>	Keyed Different*
<b>C4073-2 KA</b>	Keyed Alike—PL910, \$PL925

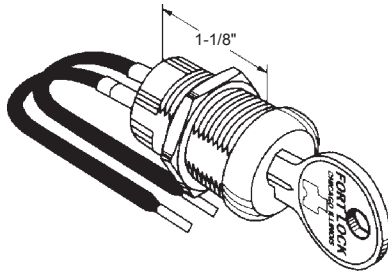
**Keypull—OFF Only; Contact—Momentary.**

<u>Stock No.</u>	<u>Keying</u>
<b>C4073-70 KV</b>	Keyed Different*
<b>C4073-70 KA</b>	Keyed Alike—PL927, \$PL926

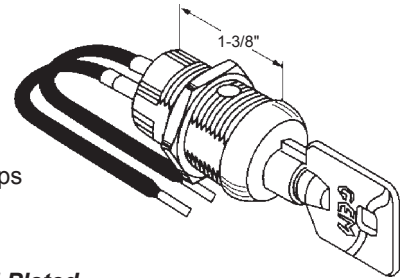
‡-Discontinued. Call for closeout prices.

\*KV indicates the majority of the quantity of locks will be keyed different. A lesser quantity will potentially be keyed alike to one or more key numbers. We can not guarantee that we can ship keyed DIFFERENT locks.

# SWITCH LOCKS



- 23000 Series Keyway
- Lead Length 10"
- 7 Amps - 110VAC (Resistive Load)



- GEM 7 pin Keyway
- Lead Length 10"
- 110-120VAC, 7 Amps (Resistive Load)

## Maintaining - Nickel Finish

**Stock No. Description**  
**SW2-3118AD** 2 key pulls at 12:00 & 3:00. Maintains contact at 3:00, open at 12:00.

Available KD or KA: **SPECIFY KEYING.**  
**Keyed Alike #:** 217, 221, 224, 237, 238.

## Momentary - Nickel Plated

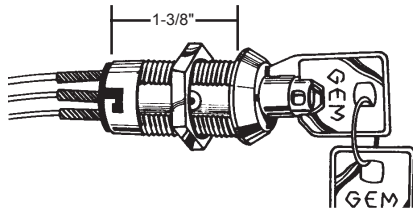
**Stock No. Description**  
**SW20-1138MC** Momentary contact, single pole, single throw. 90° CW turn contacts closed - spring back to 12:00, key removable.

Available KD or KA: **SPECIFY KEYING.**  
**Keyed Alike #:** 27379, 27380, 27381, 27382, 27383

## Momentary - Nickel Finish

**Stock No. Description**  
**SW20-3118MC** 1 key pull at 12:00. Momentary contact at 3:00, springs back to 12:00.

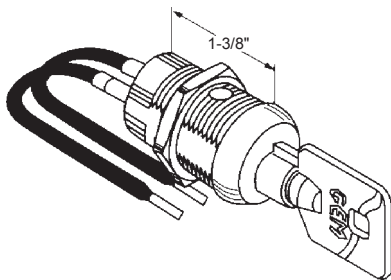
Available KD or KA: **SPECIFY KEYING.**  
**Keyed Alike #:** 217, 221, 224, 237, 238.



## MFSW3-1138 KD or KA Multi-Function Switch Lock

Rekeyable switch lock - UL Rated. Maintaining & Momentary contact, single pole, double throw switch. 125/250VAC 7A (resistive Load) Lead length 10". Parts provided for 1)Maintained, 90° CW turn, key removable 12:00 & 3:00. 2)Momentary, 90° CW turn, Key removable 12:00, spring back.

Available KD or KA: **SPECIFY KEYING.**  
**Keyed Alike #:** 27379, 27380, 27381, 27382, 27383



## SW2-1138AD KD or KA Switch Lock - Maintaining

Maintains contact at 3:00. Single pole, single throw switch. 110-120VAC, 7 amps (resistive load). Key removable at 12:00 & 3:00. Lead length: 10".

Available KD or KA: **SPECIFY KEYING.**  
**Keyed Alike #:** 27379, 27380, 27381, 27382, 27383

**One phone call does it all — 1-800-848-1577**